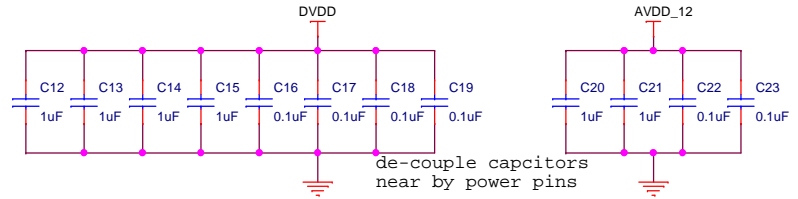
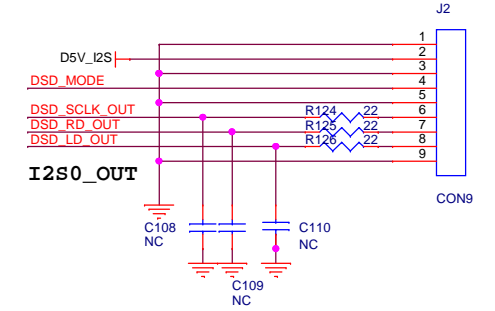
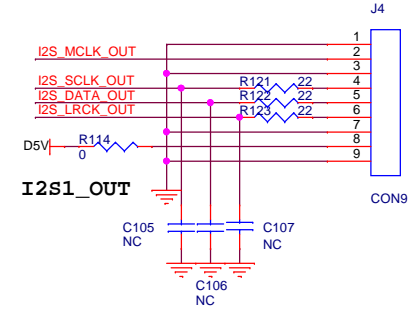
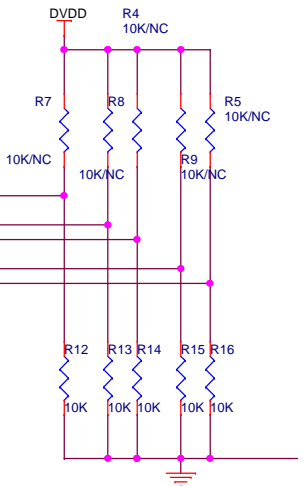


Use for  
MODE0~2.

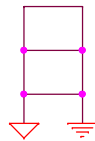
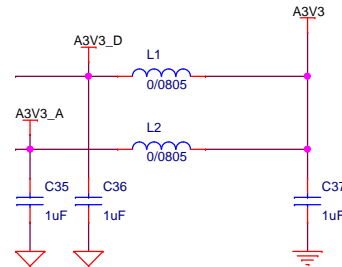
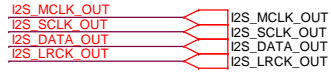
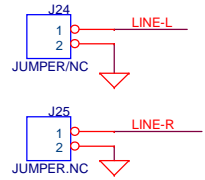
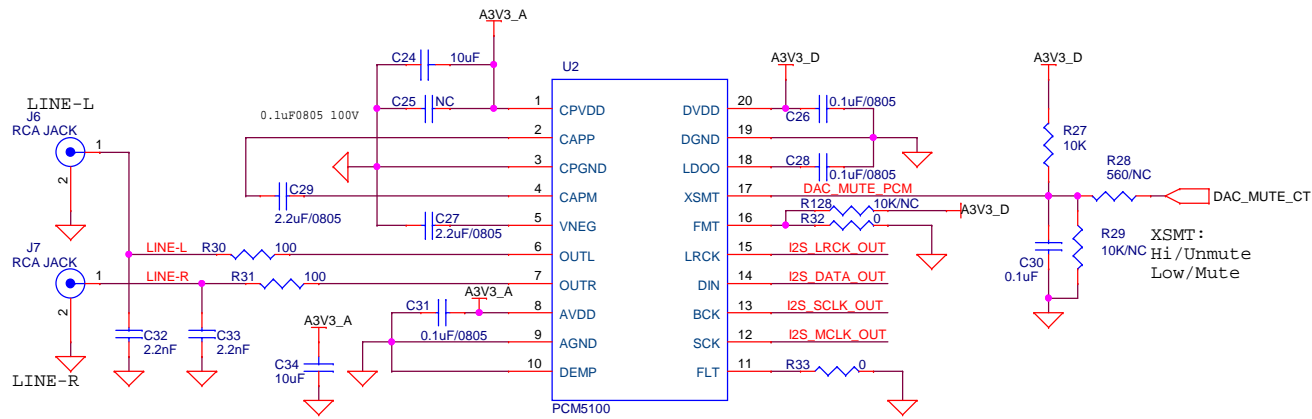
Use for MODE2.

Power On Latch  
 POR1#: I2S Tx Salve/Master  
 0/1 (Master/Salve)  
 POR4#-3#: X'tal  
 00 (12M) 01 (11.2896M)  
 10 (12.288M) 11 (14.318M)  
 POR6#-5#: I2C ID  
 00 (x20) 01 (x22)  
 10 (x24) 11 (x26)

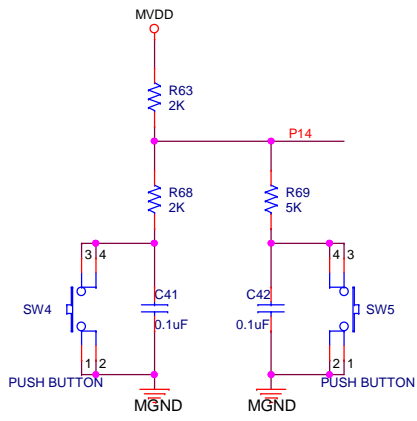
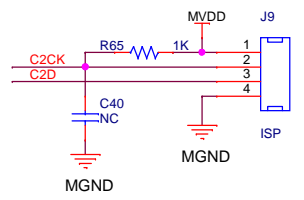
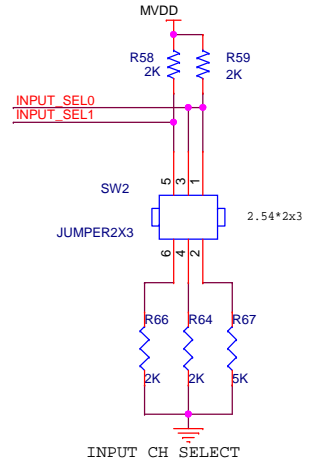
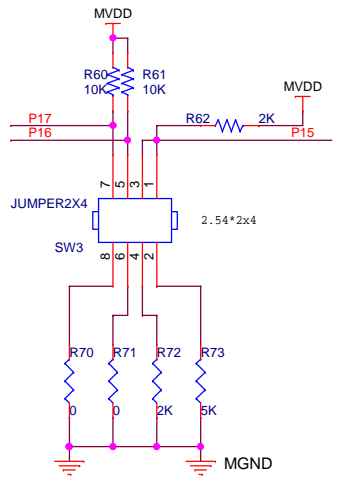
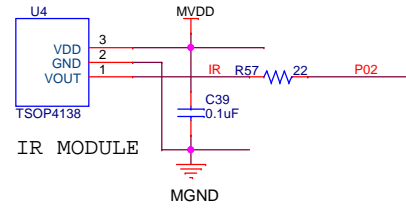
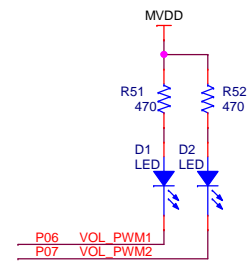
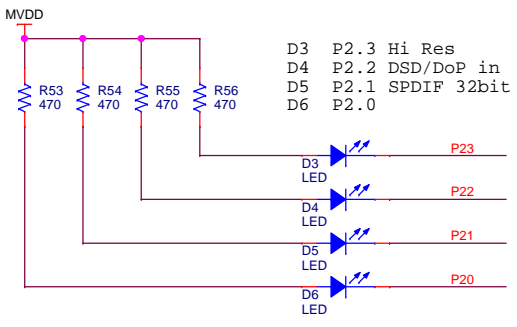
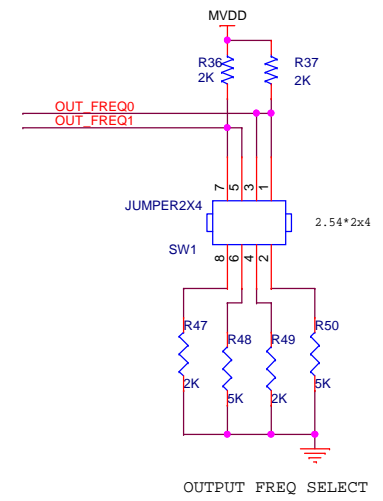
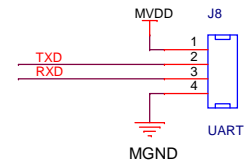
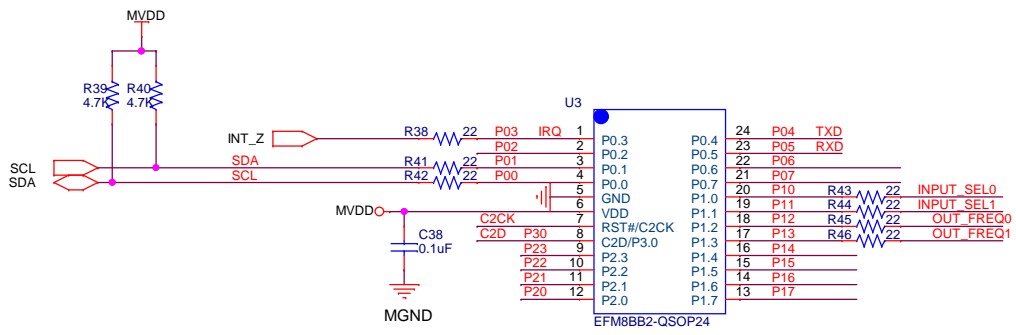
### H/W configuration (POR setting)



Title		
MAIN		
Size	Document Number	Rev
B	CT7302-Demo Board 48P LQFP	A
Date:	Monday, December 07, 2015	Sheet 1 of 5

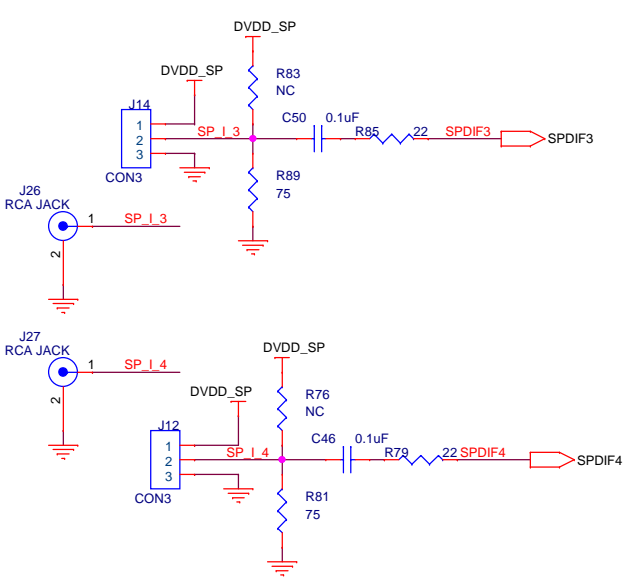
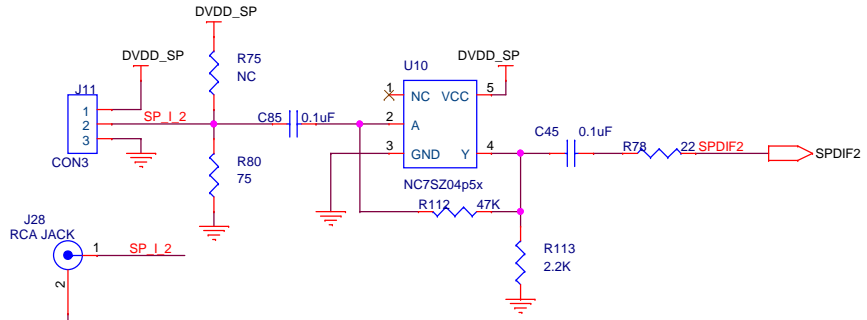
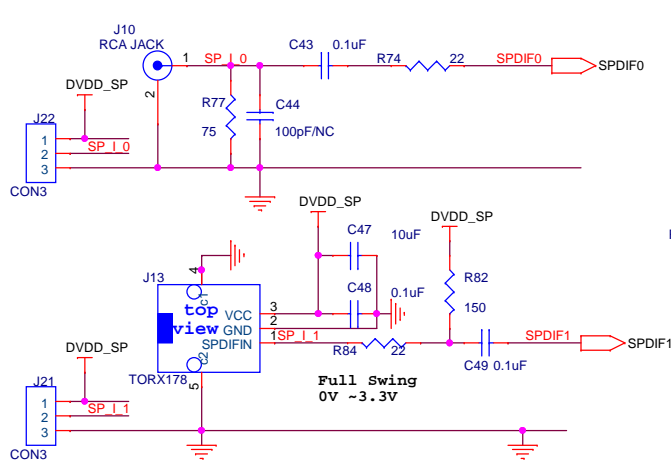


Title		
DAC		
Size	Document Number	Rev
B	CT7302-Demo Board 48P LQFP	A
Date:	Monday, December 07, 2015	Sheet 2 of 5

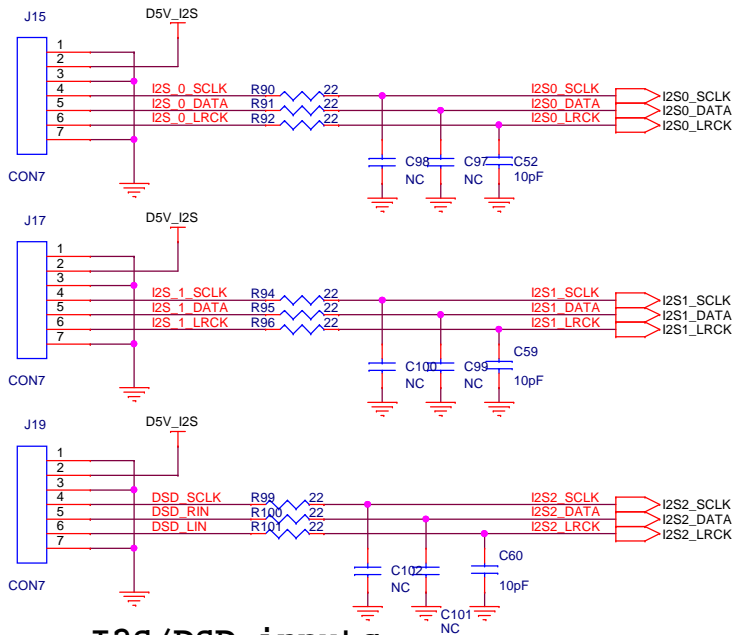


### H/W Control Function

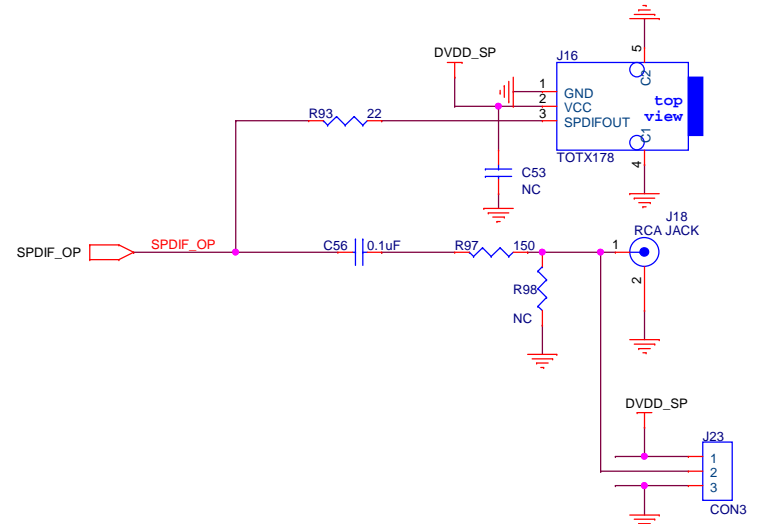
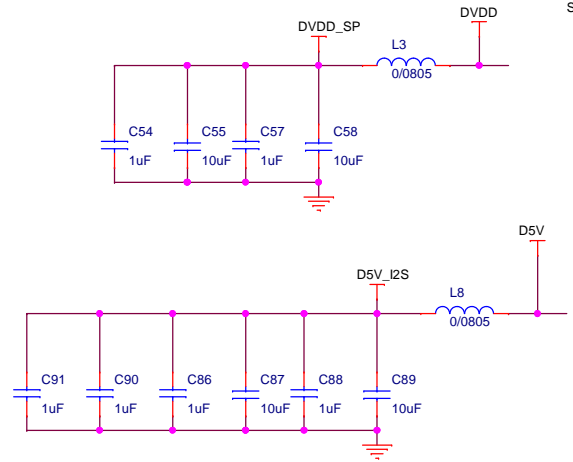
Title		
MCU		
Size	Document Number	Rev
B	CT7302-Demo Board 48P LQFP	A
Date:	Monday, December 07, 2015	Sheet 3 of 5



**S/PDIF inputs**

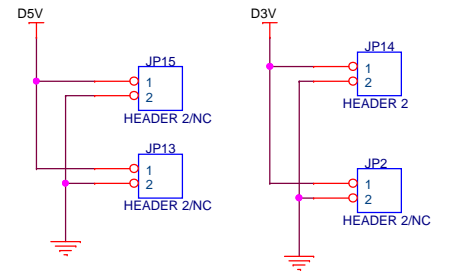
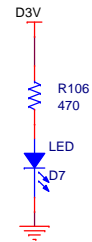
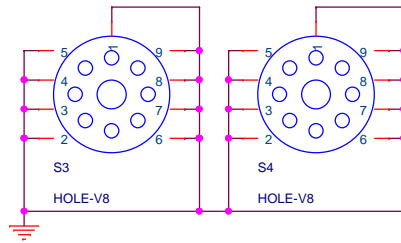
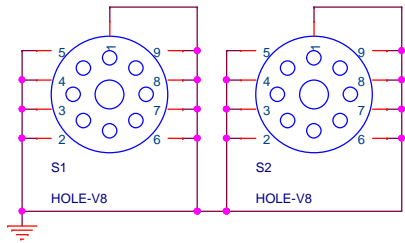
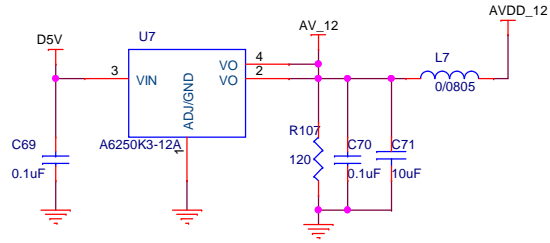
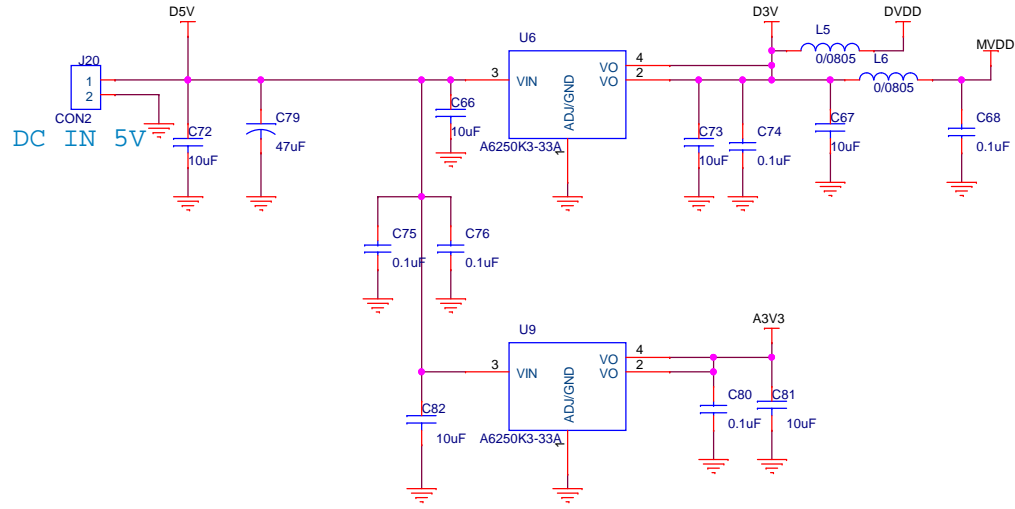
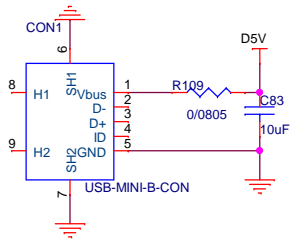


**I2S/DSD inputs**



**S/PDIF outputs**

Title		
IO Ports		
Size	Document Number	Rev
B	CT7302-Demo Board 48P LQFP	A
Date:	Monday, December 07, 2015	Sheet 4 of 5



Title		
POWER		
Size	Document Number	Rev
B	CT7302-Demo Board 48P LQFP	A
Date:	Monday, December 07, 2015	Sheet 5 of 5